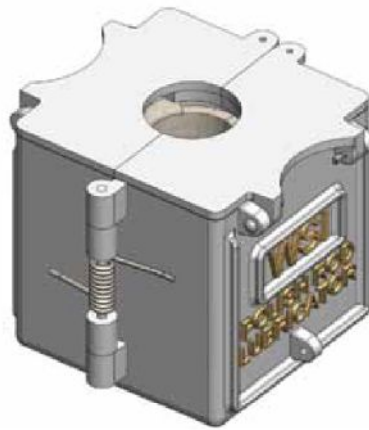


#### Polished Rod Lubricator

- Provides polished rod lubrication, reducing friction heat
- Lubrication extends stuffing box packing life
- Easy installation and can be used with any stuffing box
- 1 quart capacity reservoir
- Available for all polished rod sizes



#### Leveling Plate

- Minimizes polished rod breaks
- Compensates for carrier bar misalignment up to 2 degrees
- Installed under rod rotator, polished rod clamp, or pump off controller to help compensate for damaged or uneven carrier bar surfaces
- Available for all polished rod sizes (pilot options)
- Ensures uniform engagement between polished rod clamp and carrier bar