

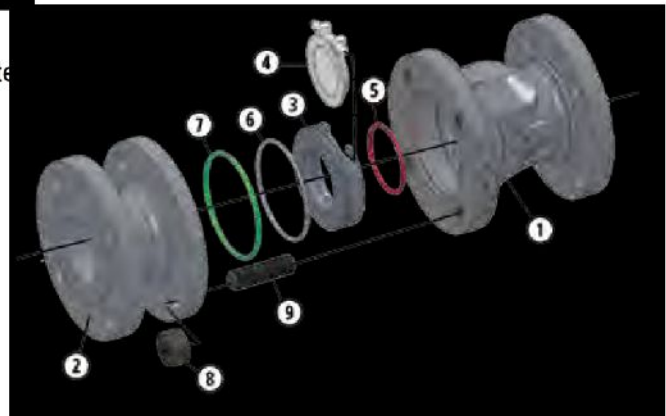
Flanged End Connection



Series C Carbon Steel

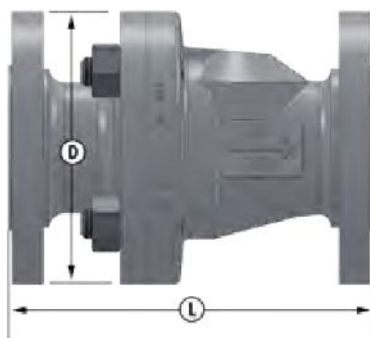
- Swing Check Valve
- ANSI Class 150 (285 PSI WP)
- 2" Through 6"
- Bolted Body Construction

- Replaceable Seat Disc Cartridge
- Seal Located in Seat, Thus Protected From Flow
- NACE Standard
- Stainless Steel Disc and Seat Standard



Material Description

ITEM	PART NAME	DESCRIPTION
1	Body	ASTM A216 WCB
2	Adapter	ASTM A216 WCB
3	Seat	Replaceable 316 Stainless Steel
4	Disc	Replaceable 316 Stainless Steel
5	O-Ring	Seat Seal: Fluorocarbon
6	O-Ring	Assembly Seal: Fluorocarbon
7	O-Ring	Body Seal: Fluorocarbon
8	Nuts	ASTM A194 2HM
9	Body Bolts	ASTM A193 B7M



Dimensional Data

SIZE	CATALOG	PORT	D	L	LBS.
2	2F-C13S-RF	2	6	8	27
3	3F-C13S-RF	3	7.50	9.5	48
4	4F-C13S-RF	4	9	11.5	74
6	6F-C13S-RF	6	12.75	14	162

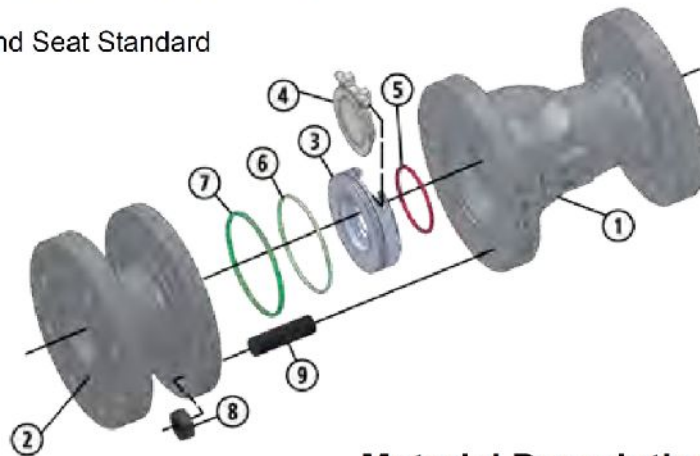
Flanged End Connection

Series C Carbon Steel

- Swing Check Valve
- ANSI Class 300 (740 PSI WP)
- 2" Through 6"
- Bolted Body Construction

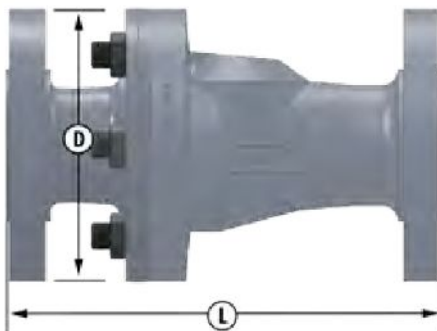


- Replaceable Seat Disc Cartridge
- Seal Located in Seat, Thus Protected From Flow
- NACE Standard
- Stainless Steel Disc and Seat Standard



Material Description

ITEM	PART NAME	DESCRIPTION
1	Body	ASTM A216 WCB
2	Adapter	ASTM A216 WCB
3	Seat	Replaceable 316 Stainless Steel
4	Disc	Replaceable 316 Stainless Steel
5	O-Ring	Seat Seal: Fluorocarbon
6	O-Ring	Assembly Seal: Fluorocarbon
7	O-Ring	Body Seal: Fluorocarbon
8	Nuts	ASTM A194 2HM
9	Body Bolts	ASTM A193 B7M



Dimensional Data

SIZE	CATALOG	PORT	D	L	LBS.
2	2F-C33S-RF	2	6.50	10.5	37
3	3F-C33S-RF	3	8	12.5	74
4	4F-C33S-RF	4	9.37	14	111
6	6F-C33S-RF	6	13.25	17.5	268

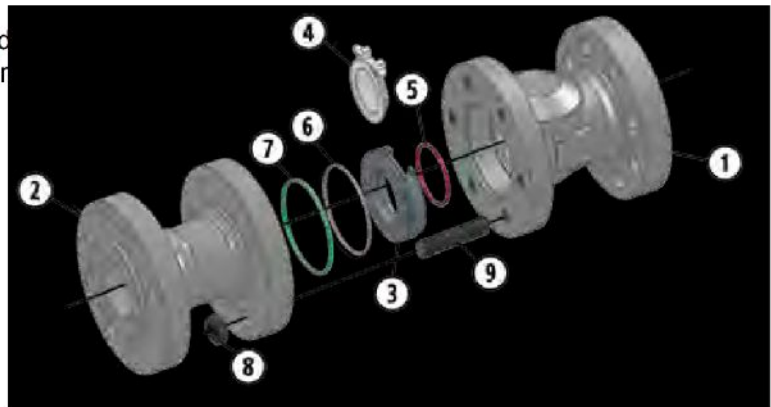
Flanged End Connection



Series C Carbon Steel

- Swing Check Valve
- ANSI Class 600 (1480 PSI WP)
- 2" Through 6"
- Bolted Body Construction

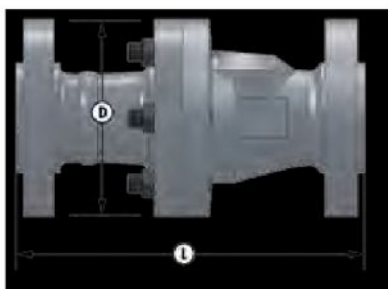
- Replaceable Seat Disc Cartridge
- Seal Located in Seat, Thus Protected From Flow
- NACE Standard
- Stainless Steel Disc and Seat Standard



Material Description

ITEM	PART NAME	DESCRIPTION
1	Body	ASTM A216 WCB
2	Adapter	ASTM A216 WCB
3	Seat	Replaceable 316 Stainless Steel
4	Disc	Replaceable 316 Stainless Steel
5	O-Ring	Seat Seal: Fluorocarbon
6	O-Ring	Assembly Seal: Fluorocarbon
7	O-Ring	Body Seal: Fluorocarbon
8	Nuts	ASTM A194 2HM
9	Body Bolts	ASTM A193 B7M

Dimensional Data



SIZE	CATALOG		PORT	D	L		LBS.
	RAISED FACE	RING JOINT			RF	RJ	
2	2F-C63S-RF	2F-C63S-RJ	2	6.50	11.5	11.62	42
3	3F-C63S-RF	3F-C63S-RJ	3	8	14	14.12	80
4	4F-C63S-RF	4F-C63S-RJ	4	10.75	17	17.12	188
6	6F-C63S-RF	6F-C63S-RJ	6	13.75	22	22.12	384