

# Threaded End Connection

## Series LM Carbon Steel

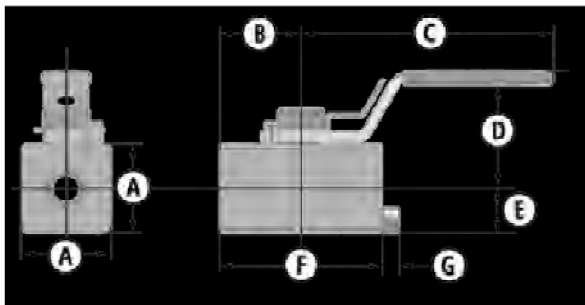
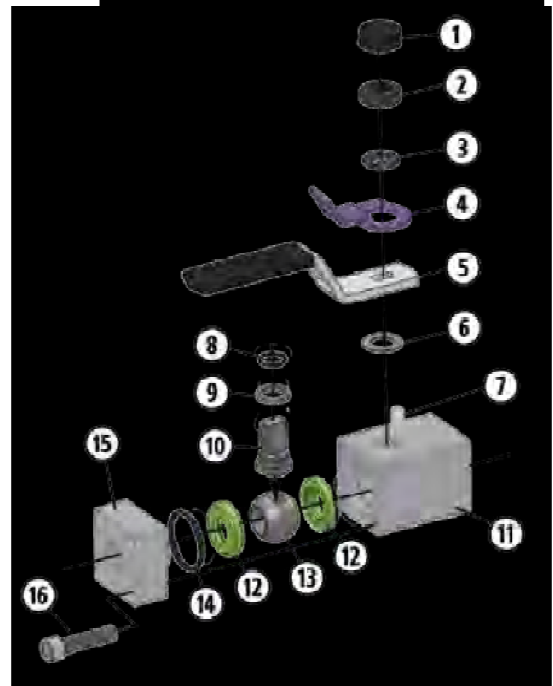
- Lever Operated Ball Valve
- 3000 PSI WP
- 1/4" Through 1"
- Bolted Body Construction
- Multi-Seal Seats
- 316 Stainless Steel Ball and Stem Standard
- Locking Device Standard
- Maintenance Free



### Material Description

ITEM	PART NAME	MATERIAL (STANDARD)
1	Weather Guard	Polyethylene
2	Stem Nut	Carbon Steel
3	Spacer	Carbon Steel
4	Lock Plate	Carbon Steel
5	Handle*	Carbon Steel
6	Stem Washer	Acetal
7	Stop Pin	Carbon Steel
8	Stem O-Ring	Buna-N
9	Stem Seal	TFE
10	Stem	316 Stainless Steel
11	Body	AISI 1215
12	Ball Seat	Nylon (TFE Optional)
13	Ball	316 Stainless Steel
14	Body Seal	Buna-N
15	End Adapter	AISI 1215
16	Body Bolts	ASTM A193 B7M

\* Handle and lock device are standard on all Series LM Ball Valves.



### Dimensional Data

SIZE	CATALOG NUMBER	PORT	A	B	C	D	E	F	G	LBS.	Cv
	STANDARD TRIM 316 SS BALL & STEM										
25x.37x.25	LM-02382	.37	1.25	1.12	3.5	1.82	.62	2.25	.25	1	-
50x.37x.50	LM-06381	.37	1.25	1.12	3.5	1.82	.62	2.25	.25	1	6
75x.75x.75	LM-07382	.75	2	1.81	4.87	2.25	1	3.62	.37	3.5	-
1x.75x1	LM-10381	.75	2	1.81	4.87	2.25	1	3.62	.37	3.5	30