

4" HYDRAULIC SUBMERSIBLE TRASH PUMP

MODELS

S4TLP (Ductile Iron Body)

S4TLPAL (Aluminum Body)

4" (100 mm) Discharge

The S4TLP trash pump is designed to fit into tighter spaces and can be used for tank truck mounting for direct loading/offloading using on-board hydraulics. It is well suited for operating with smaller hydraulic tool power units. Your preference of durable ductile iron or lightweight aluminum body makes this pump an all around choice.



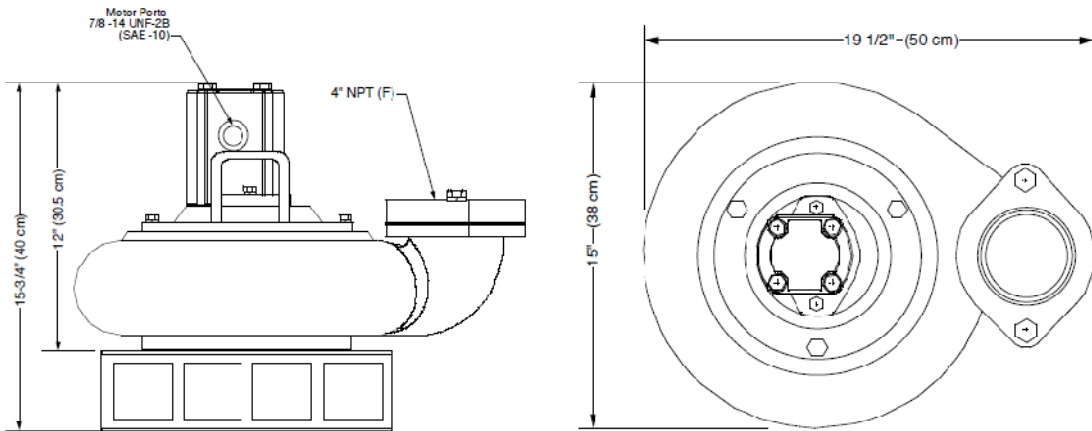
FEATURES

- 2-Vane Channel Impeller (will pass 3" (75 mm) semi-solids)
- Variable Speed hydraulic drive
- Wide Range of performance
- Can be bolted directly to a tank or truck.
- Safe Hydraulic Drive can be used where electric power is hazardous or impractical
- Dependable gear type hydraulic motor
- Operates with our HT10 to HT20 power units or other hydraulic power sources capable of flows of 5-10 GPM

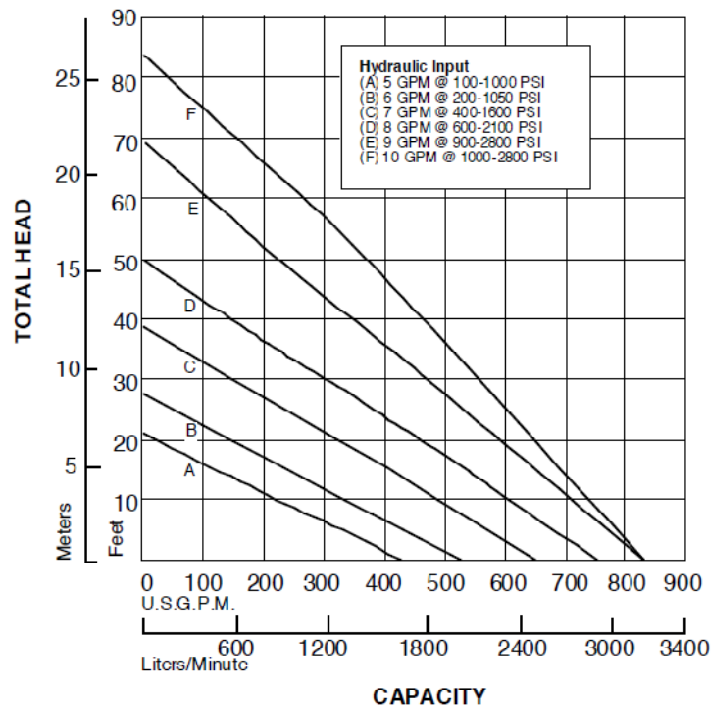
SPECIFICATIONS

WEIGHT: S4TLP.....	107 lbs. (48 kg)
S4TLPAL	68 lbs. (31 kg)
HEIGHT:.....	13-3/4" (40 cm)
WIDTH (@ widest point):.....	19-1/2" (50 cm)
DISCHARGE:.....	4" NPT(F)
INLET FLANGE:.....	4", 125# ASA
SOLIDS HANDLING:.....	3" (75 mm)
HOSE PORTS:.....	7/8-14 UNF (-10) SAE(F)
PUMP BODY: S4TLP.....	Ductile Iron
S4TLPAL.....	Aluminum
IMPELLER:.....	Ductile Iron
SHAFT SEAL:.....	Grease Lube Double Lip
ELASTOMERS:.....	Buna N (Std)
HYDRAULIC OIL:.....	214-320 s.s.u. @ 100°F (64°C)
INPUT FLOW:.....	Max. 10 GPM (38 LPM)
OPERATING PRESSURE:..	Max. 2800 PSI (190 Bar)
POWER SOURCE:..	Any Open Center Hydraulic System

Model S4TLP Overall Dimensions



S4TLP Typical Performance



Curves are based on pumping water at 60°F. For performance curves other than shown above, consult factory.